

WHAT IS INCLUDED

- A. Top of Stair Cable Post (1)
- B. Drill Guide (1)

NOT INCLUDED

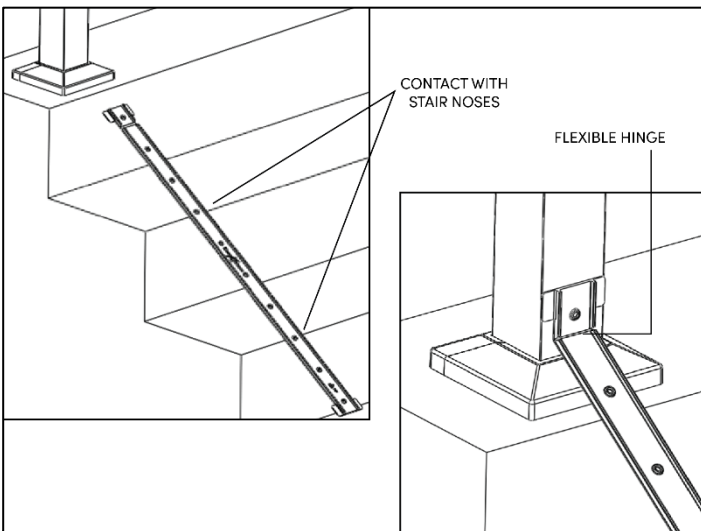
- 1. Cable Railing Kit

TOOLS AND ITEMS NEEDED

- Clamp
- Power Drill
- 3/16" Drill Bit
- Safety Glasses
- Pencil

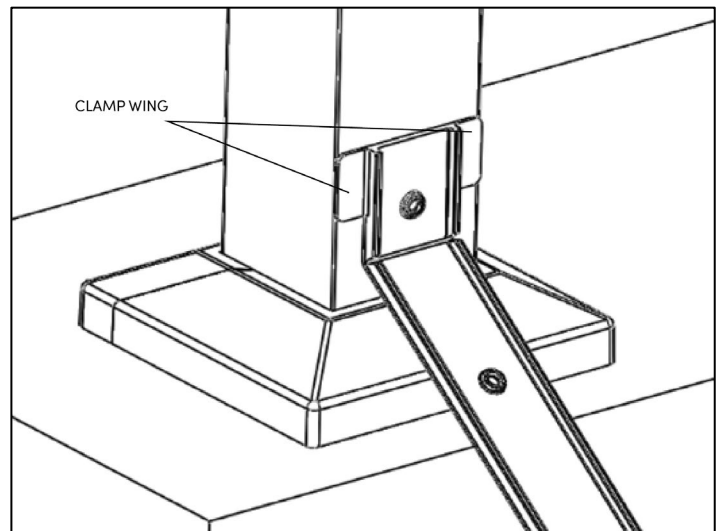
BEFORE YOU BEGIN

- Refer to the "Cable Rail Instructions" to properly install your top-of-stair post.



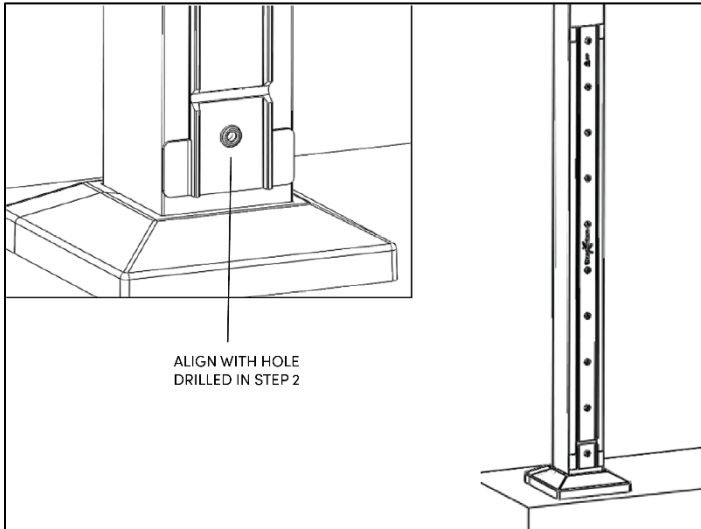
STEP 1 – Position the Drill Guide

- Set the drill guide across the nose of the stairs with the flexible hinge towards the top of the stairs.
- Slide the drill guide upward & bend the flex hinge of the drill jig so it is flush and centered on the top post while still contacting the noses of the stairs.



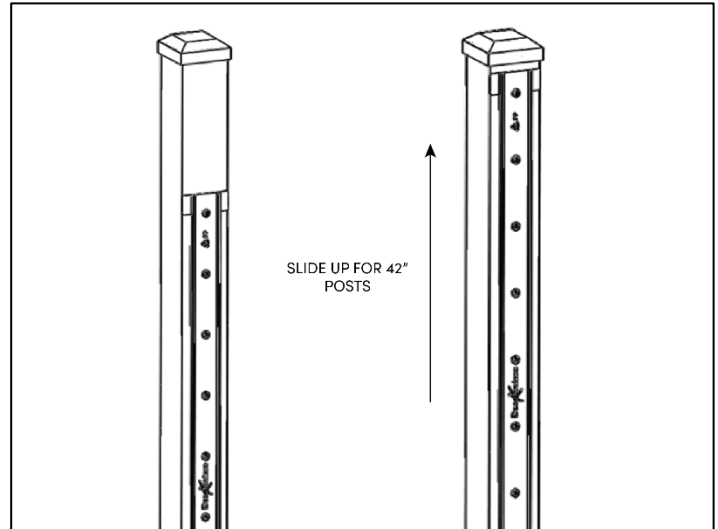
STEP 2 – Drill Bottom Cable Hole

- Clamp the tip of the drill jig to the post using the clamp wings on the side of the drill jig ends.
- Using the drill jig as a guide, drill the first hole in the post using a 3/16" drill bit.



STEP 3 – Reposition Drill Guide

- Unclamp the drill guide.
- Keep the first drilled hole aligned with the flexible tip and rotate the drill guide so it is flush and centered along the height of the post, as shown.
- Clamp the top and bottom of the drill guide to the post using the clamp wings on both ends.



STEP 4 – Drill Remaining Holes

- Using the drill guide, finish drilling the rest of the holes with a 3/16" drill bit.
- If you are using a 42" post, you can shift the drill guide up to complete the rest of the holes. Use the previous holes as an alignment for the higher holes.

THE DIAGRAMS AND INSTRUCTIONS IN THIS BROCHURE ARE FOR ILLUSTRATION PURPOSES ONLY AND ARE NOT MEANT TO REPLACE A LICENSED PROFESSIONAL. ANY CONSTRUCTION OR USE OF THE PRODUCT MUST BE IN ACCORDANCE WITH ALL LOCAL ZONING AND/OR BUILDING CODES. THE CONSUMER ASSUMES ALL RISKS AND LIABILITY ASSOCIATED WITH THE CONSTRUCTION OR USE OF THIS PRODUCT. THE CONSUMER OR CONTRACTOR SHOULD TAKE ALL NECESSARY STEPS TO ENSURE THE SAFETY OF EVERYONE INVOLVED IN THE PROJECT, INCLUDING, BUT NOT LIMITED TO, WEARING THE APPROPRIATE SAFETY EQUIPMENT. EXCEPT AS CONTAINED IN THE WRITTEN LIMITED WARRANTY, THE WARRANTOR DOES NOT PROVIDE ANY OTHER WARRANTY, EITHER EXPRESS OR IMPLIED, AND SHALL NOT BE LIABLE FOR ANY DAMAGES, INCLUDING CONSEQUENTIAL DAMAGES.

©2025 UFP Retail Solutions, LLC. Deckorators is a registered trademark of Deckorators, Inc. All rights reserved. 68956 U.S. Highway 131, White Pigeon, MI 49099

www.Deckorators.com