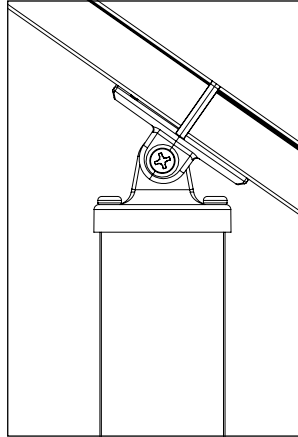
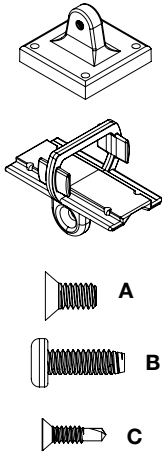


Contents

- (2) – Continuous Stair Bracket (CSB) Post Mount
- (2) – Continuous Stair Bracket (CSB) Rail Bracket
- Hardware Kit:
 - (4) ¼" 20 x ½" Flat Head Screw (A)
 - (10) ¼" 20 x ¾" Flat Head Forming Screw (B)
 - (10) #8 x ½" Flat Head Drilling Screw (C)

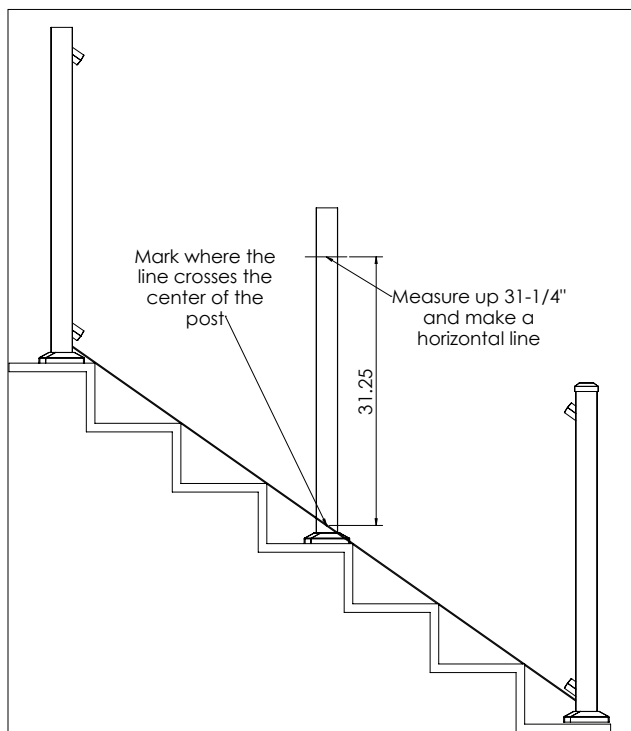


Pro Tips

- Attach the rails to the Continuous Stair Bracket first, before you attach the rails to the end stair brackets.
- Take care in making square cuts to the rail to prevent any gaps on the CSB.
- Make sure your rails are long enough to reach the center of the desired post before installing.

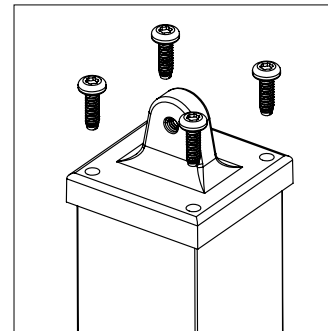
Step 1 - Position and mark posts

- NOTE: Stair End Brackets must be set according to the Rapid Rail Stair instructions before proceeding.
- Make sure the rails you are connecting can reach to the center of the desired post.
- Depending on where your post is mounted, the required cut height will change.
- Lay a board or other straight edge across the nose of the stairs, creating the line shown in the diagram.
- Position the central post(s) in the desired location(s).
- Mark the post where the line intersects the center of the post.
- Measure up 31¼" from this point and make a horizontal line.
- Cut your post square at this mark.



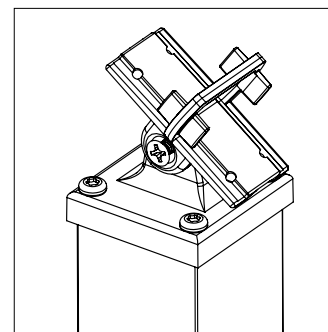
Step 2 - Attach Post Mount

- Install post in the same position it was measured in. Follow the installation instructions included with your post.
- Install the CSB Post mount on top of the cut post using (4) Screws (B). The threaded hole in the CSB Post mount should be perpendicular to the railing.
- Make sure to not over tighten these screws.



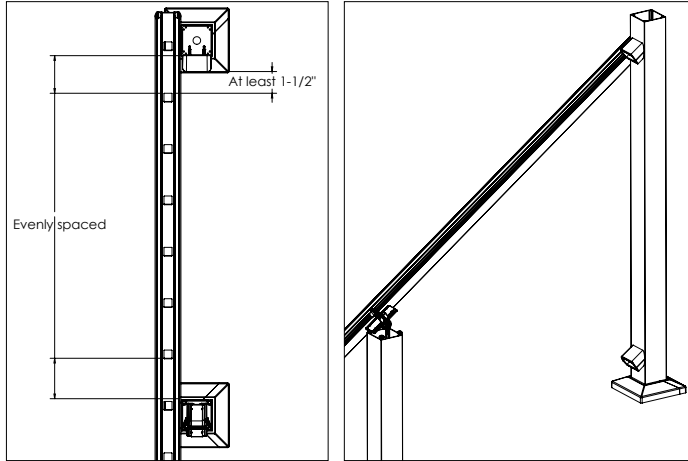
Step 3 - Test fit CSB Rail Bracket

- Loosely attach the CSB Rail bracket to the CSB post mount using (2) Screws (A). Do NOT tighten.



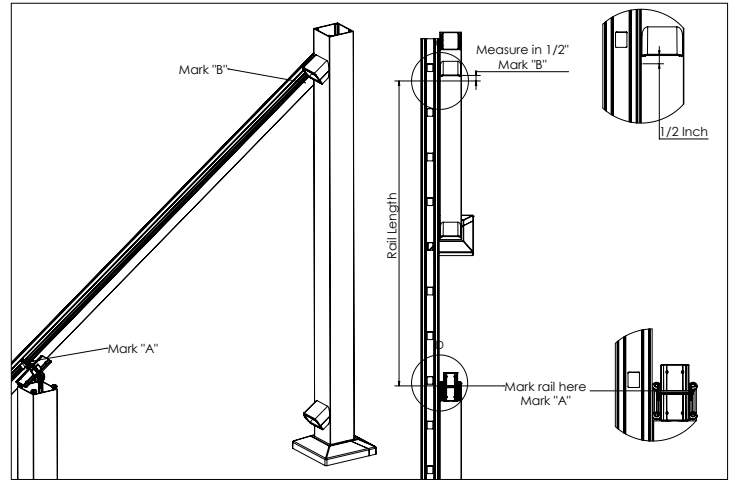
Step 4 - Determine rail position

- Hold the upper Rapid Rail Base Rail next to the brackets in the proper position, parallel to the stair angle.
- Shift the rail so that the baluster cutouts are evenly spaced between the post faces.
- Ensure baluster holes are not closer than 1½" to the stair end bracket mounts as shown. If they are, you must shift the rail to one side until the above conditions are met.
- NOTE: The rail extends further into the CSB so the baluster cutouts will be further away from the CSB end.
- Clamp the rail to the posts in this position.



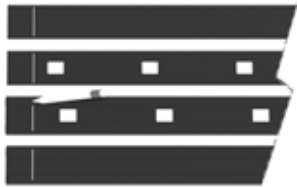
Step 5 - Mark Rail Lengths

- Mark the top rails where the mating face of the CSB base intersects the rail as shown. We will call this Mark "A".
- Measure in ½" from the Rapid Rail Stair Bracket Mount and make a mark on the rail. We will call this Mark "B". **Use this mark for transferring to the bottom rail.**
- NOTE: The bottom rails will be shorter than the top rails.
- Repeat this step for the other top rail(s) in the staircase.



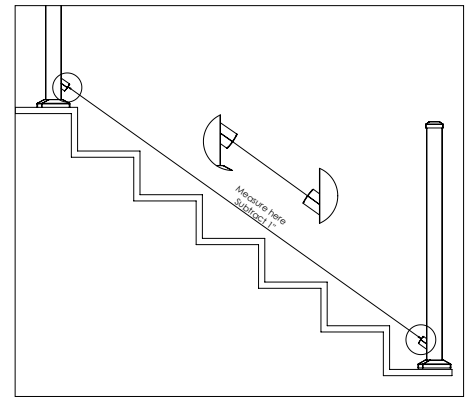
Step 6 - Transfer Mark "B"

- Align the ends of all top and bottom rails for this panel. The bottom cap rail baluster cutouts are shifted towards the top of the stairs to account for stair angle.
- Transfer Mark "B" to the other rails, making sure the bottom cap rail baluster cutouts are offset toward the top of the stairs.
- Transfer Mark "A" to the Top Cap Rail.



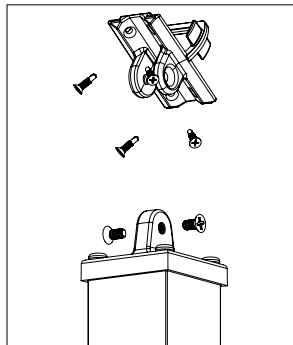
Step 7 - Measure Bottom Rail Length & Cut Rails

- Measure between the faces of the lower Stair Bracket Mounts.
- Subtract 1" from this measurement. This will be your cut length.
- Measure your cut length from the transferred Mark "B" on the bottom rails.
- Cut all rails on cut marks.



Step 8 - Attach Rails

- Remove the CSB Rail Bracket from the CSB Post Mount.
- Set the base rails flush onto the CSB Bracket as shown and attach using (4) Screws (C).
- Re-Attach the CSB Rail Bracket to the CSB Post Mount.
- Pro Tip* Set the connected rails into the lowest stair bracket first to help support the assembly while you re attach the CSB.
- Do not snap on the rail cap before finishing the Rapid Rail Stair assembly according to the Rapid Rail instructions.
- Finish by tightening the (2) Screws B.



THE DIAGRAMS AND INSTRUCTIONS IN THIS BROCHURE ARE FOR ILLUSTRATION PURPOSES ONLY AND ARE NOT MEANT TO REPLACE A LICENSED PROFESSIONAL. ANY CONSTRUCTION OR USE OF THE PRODUCT MUST BE IN ACCORDANCE WITH ALL LOCAL ZONING AND/OR BUILDING CODES. THE CONSUMER ASSUMES ALL RISKS AND LIABILITY ASSOCIATED WITH THE CONSTRUCTION OR USE OF THIS PRODUCT. THE CONSUMER OR CONTRACTOR SHOULD TAKE ALL NECESSARY STEPS TO ENSURE THE SAFETY OF EVERYONE INVOLVED IN THE PROJECT, INCLUDING, BUT NOT LIMITED TO, WEARING THE APPROPRIATE SAFETY EQUIPMENT. EXCEPT AS CONTAINED IN THE WRITTEN LIMITED WARRANTY, THE WARRANTOR DOES NOT PROVIDE ANY OTHER WARRANTY, EITHER EXPRESS OR IMPLIED, AND SHALL NOT BE LIABLE FOR ANY DAMAGES, INCLUDING CONSEQUENTIAL DAMAGES.